

WiNG-MGR DRM

DIN Rail Mount Bracket

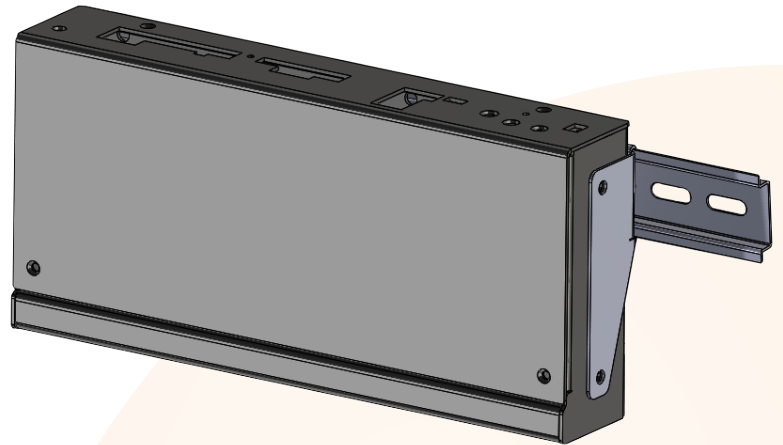
Monitor. Integrate. Alert. Peace of Mind.

Applications

Safely and securely mount a WiNG-MGR to any 35mm DIN rail with this custom designed powder coated steel bracket.

Key Features

- High quality construction
- Custom engineered to fit the WiNG-MGR
- Snaps into place for a secure installation



WiNG Monitoring, Right Where You Need It

Every wireless monitoring installation is unique - that's why we've designed a DIN rail mount bracket to fit our popular WiNG-MGR controller.

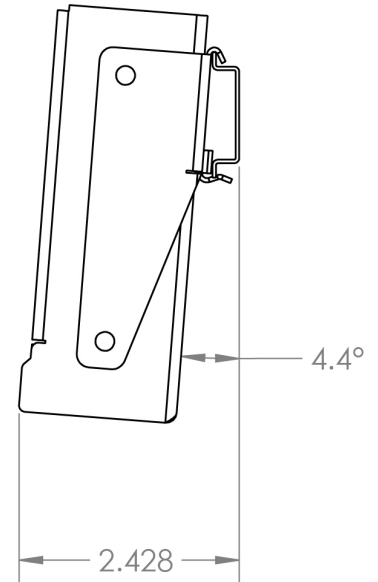
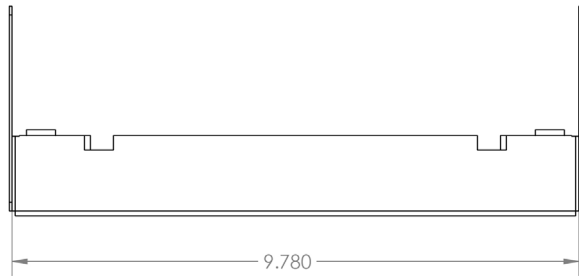
What Sets RLE's WiNG-MGR DRM Apart?

- **Custom designed by RLE's engineering team**, this bracket securely and safely houses the WiNG-MGR.
- **Powder coated steel** ensures durability and reliability, and matches the WiNG-MGR enclosure.
- **Fits any 35mm DIN rail** for a seamless integration into any facility.
- **Easy to install** - just place the long folded metal edge on top of the DIN rail, and then press until the mounting tabs at the bottom of the mount click into place.

WiNG-MGR DRM • Compatible with the WiNG-MGR

Product Codes

WiNG-MGR DRM | DIN Rail mount for WiNG -MGR - compatible with 35mm DIN rail



Technical Specifications

Materials	Powder coated steel
DIN Rail Compatibility	Fits 35mm DIN rail
Dimensions and Weight	9.78"W x 3.53"D (24.8cmW x 8.97cmD), 0.30lb (0.14kg)

